

PIN REPLACEMENT - ION RELEASEBUCKLE VI



1. HOW TO CHECK THE BUCKLE

IN ORDER TO CHECK THE FIXATION OF THE TWO AFFECTED MAIN METAL PINS YOU MUST USE A 2,5MM PIN PUNCH OR 3/32 ALLEN KEY / FIN KEY. APPLY MODERATE PRESSURE TO BOTH THE REAR AND THE FRONT PIN AS SHOWN IN FIG 1. THE PINS NEED TO BE CHECKED FROM TOP AND BOTTOM OF THE BUCKLE. IF A PIN IS AFFECTED IT ONLY REQUIRES VERY LITTLE FORCE TO REMOVE IT.

2. REQUIRED ACTION IN CASE OF A LOOSE PIN

IF YOUR BUCKLE IS AFFECTED BY A LOOSE PIN PLEASE CONTACT YOUR DEALER OR ION DIRECTLY. ION PROVIDES THE FOLLOWING REWORKED REPLACEMENT PINS FREE OF CHARGE.

REAR PIN: 48210-8024 ION-REPLACEMENT METAL PIN FOR RELEASEBUCKLE VI - 65mm
FRONT PIN: 48210-8025 ION-REPLACEMENT METAL PIN FOR RELEASEBUCKLE VI - 70mm

YOU CAN DO THE REPLACEMENT BY YOURSELF OR ASK YOUR LOCAL DEALER TO DO THE REPLACEMENT FOR YOU.

3. HOW TO REPLACE THE PINS

STEP 1: INSERT THE PROVIDED REPLACEMENT PIN INTO THE ORIGINAL POSITION FROM THE UPPER SIDE OF THE BUCKLE WITH THE KNURLING FACING UPWARDS (FIG.2).

PLEASE NOTE: THE REAR PIN IS 65MM LONG, THE FRONT PIN IS 70MM LONG.

STEP2: USE A SOFT-FACED HAMMER TO PUSH THE PINS ALL THE WAY INTO THE PART (FIG.3).

STEP3: CHECK THE FIXATION OF THE NEWLY INSERTED PINS ONCE AGAIN BY USING A 2,5MM PIN PUNCH OR ALLEN KEY.

WE APOLOGIZE TO ALL ION CUSTOMERS FOR ANY CONCERNS OR INCONVENIENCE RAISED BY THIS SAFETY NOTICE. UNFORTUNATELY EVEN WITH THE GREATEST DILIGENCE AND FORESIGHT TECHNICAL PROBLEMS WITH MATERIALS CAN, NOT BE COMPLETELY RULED OUT. IF YOU HAVE ANY QUESTIONS OR ARE UNCERTAIN WHAT TO DO PLEASE CONTACT YOUR ION DEALER.

FIG1.

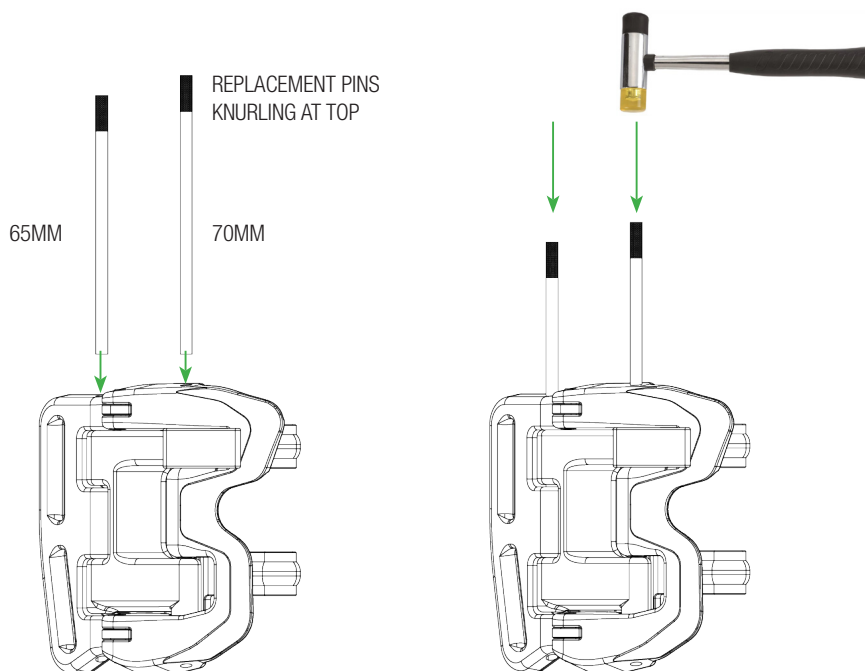
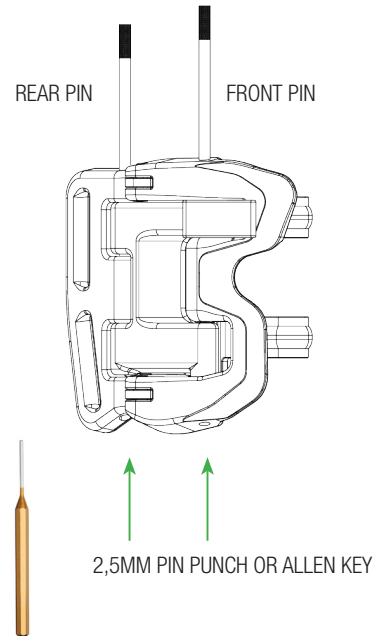


FIG.2:

FIG.3:

REPLACEMENT PIN WITH 9MM KNURLING



FIG.4: