

In order to change the hook of your ION Harness please follow the instructions below:

Step 1:

Use a fin key or a 3/32 Allen key to loosen the screws in the back of the spreaderbar (Fig.1) hidden in the EVA pad. Gently remove the original hook from in between the injection moulded spreader bar and the EVA pad.

Step 2:

Place the new hook in position and use the original screw set to fix it in place (Fig.2)

This method works for all generations of injection moulded ION C-BARS regardless of the hook version installed.

fig1: step 1

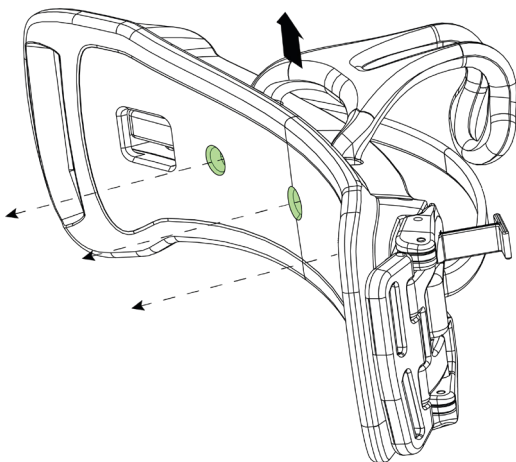
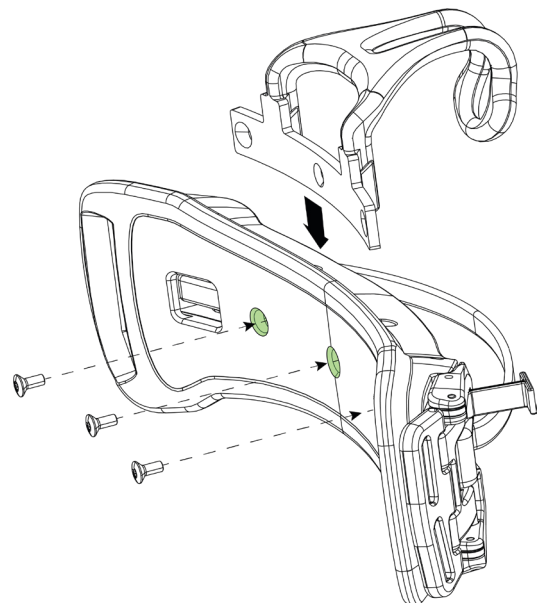


fig. 2: step 2



TEAM ION

Operating office  
Boards & More GmbH  
Keltenring 9  
82041 Oberhaching, DE

[www.ion-products.com](http://www.ion-products.com)  
[www.boards-and-more.com](http://www.boards-and-more.com)

Oberhaching 17.03.2020